

# DrayTek

## VigorAP 710

802.11n Access Point



### Quick Start Guide

V2.0

# VigorAP 710

## 802.11n Access Point

### Quick Start Guide

Version: 2.0

F/W: V1.2.0

Date: June 16, 2017

#### Warranty

We warrant to the original end user (purchaser) that the access point will be free from any defects in workmanship or materials for a period of one (1) year from the date of purchase from the dealer. Please keep your purchase receipt in a safe place as it serves as proof of date of purchase. During the warranty period, and upon proof of purchase, should the product have indications of failure due to faulty workmanship and/or materials, we will, at our discretion, repair or replace the defective products or components, without charge for either parts or labor, to whatever extent we deem necessary to restore the product to proper operating condition. Any replacement will consist of a new or re-manufactured functionally equivalent product of equal value, and will be offered solely at our discretion. This warranty will not apply if the product is modified, misused, tampered with, damaged by an act of God, or subjected to abnormal working conditions. The warranty does not cover the bundled or licensed software of other vendors. Defects which do not significantly affect the usability of the product will not be covered by the warranty. We reserve the right to revise the manual and online documentation and to make changes from time to time in the contents hereof without obligation to notify any person of such revision or changes.



#### Declaration of Conformity

Hereby, DrayTek Corporation declares that the radio equipment type VigorAP 710 is in compliance with Directive 2014/53/EU. The full text of the EU Declaration of Conformity is available at the following internet address:  
[http://www.draytek.com.tw/ftp/VigorAP 710/Document/CE/](http://www.draytek.com.tw/ftp/VigorAP_710/Document/CE/)

Manufacturer: DrayTek Corp.  
Address: No. 26, Fu Shing Road, HuKou Township, HsinChu Industrial Park, Hsin-Chu, Taiwan 303  
Product: VigorAP 710

#### Frequency Information for Europe area:

2.4G WLAN	2412MHz - 2472 MHz, max. TX power: 19.82dBm
-----------	---------------------------------------------

This product is designed for 2.4GHz WLAN network throughout the EC region.



#### Regulatory Information

##### Federal Communication Commission Interference Statement

This equipment has been tested and found to comply with the limits for a Class B digital device, pursuant to Part 15 of the FCC Rules. These limits are designed to provide reasonable protection against harmful interference in a residential installation. This equipment generates, uses and can radiate radio frequency energy and, if not installed and used in accordance with the instructions, may cause harmful interference to radio communications. However, there is no guarantee that interference will not occur in a particular installation. If this equipment does cause harmful interference to radio or television reception, which can be determined by turning the equipment off and on, the user is encouraged to try to correct the interference by one of the following measures:

- Reorient or relocate the receiving antenna.
- Increase the separation between the equipment and receiver.
- Connect the equipment into an outlet on a circuit different from that to which the receiver is connected.
- Consult the dealer or an experienced radio/TV technician for help.

This device complies with Part 15 of the FCC Rules. Operation is subject to the following two conditions:

- (1) This device may not cause harmful interference, and
- (2) This device may accept any interference received, including interference that may cause undesired operation.

The antenna/transmitter should be kept at least 20 cm away from human body.



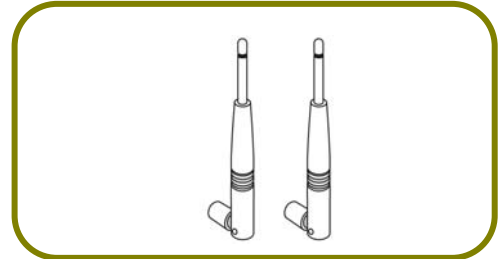
# 1

## Package Content

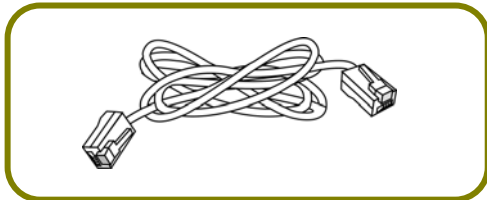
Take a look at the package content. If there is anything missed or damaged, please contact DrayTek or dealer immediately.



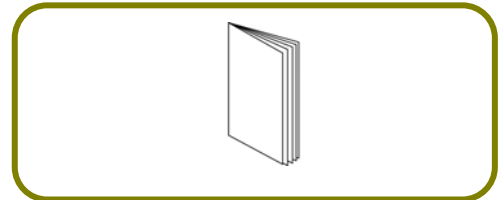
Access Point



Antenna

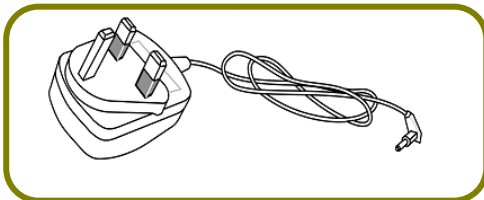


RJ-45 Cable (Ethernet)

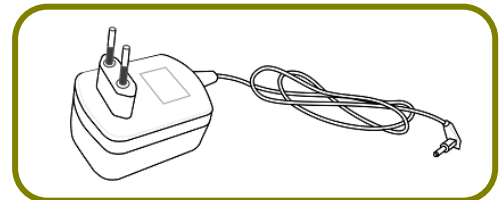


Quick Start Guide

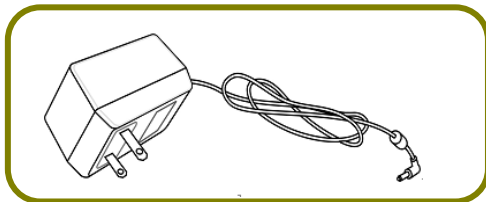
The type of the power adapter depends on the country that the AP will be installed:



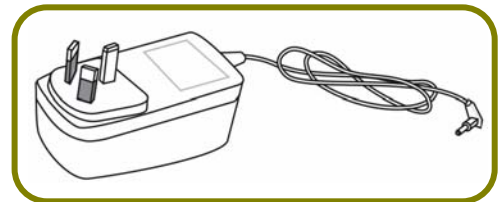
UK-type power adapter



EU-type power adapter



USA/Taiwan-type power adapter



AU/NZ-type Power Adapter



### Note

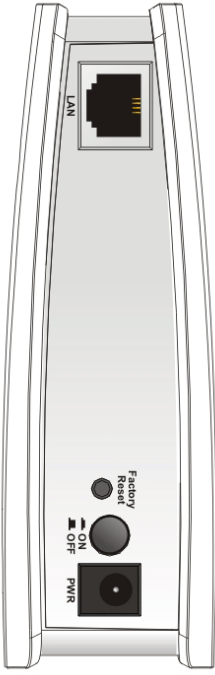



The antenna/transmitter should be kept at least 20 cm away from human body.

# 2

## Descriptions of Components



LED	Status	Explanation
ACT	Off	The system is not ready or is failed.
	Blinking	The system is ready and can work normally.
Repeater	On	The Repeater mode is on.
	Off	The Repeater mode is off.
LAN	On	LAN is connected.
	Off	LAN is disconnected.
	Blinking	Data is transmitting (sending/receiving).
SSID1 – SSID4	On	The function of SSID is on.
	Off	The function of SSID is off.
WLAN ON/OFF/WPS (Green LED)	On (Green)	Press the button and release it within 2 seconds. When the wireless function is ready, the green LED will be on.
	Off	Press the button and release it within 2 seconds to turn off the WLAN function. When the wireless function is not ready, the LED will be off.
	Blinking (Green)	Data is transmitting (sending/receiving).
WLAN ON/OFF/WPS (Orange LED)	Blinking (Orange)	When WPS function is enabled by web user interface, press this button for more than 2 seconds to wait for client's device making network connection through WPS. When the orange LED blinks with 1 second cycle for 2 minutes, it means that the AP is waiting for wireless client to connect with it.

	Interface	Description
	LAN	Connector for xDSL / Cable modem or router.
		Restore the default settings. Usage: Turn on the router. Press the button and keep for more than 10 seconds. Then the router will restart with the factory default configuration.
		ON/OFF: Power switch.
		PWR: Connector for a power adapter.



### Note

For the sake of security, make the accessory kit away from children.

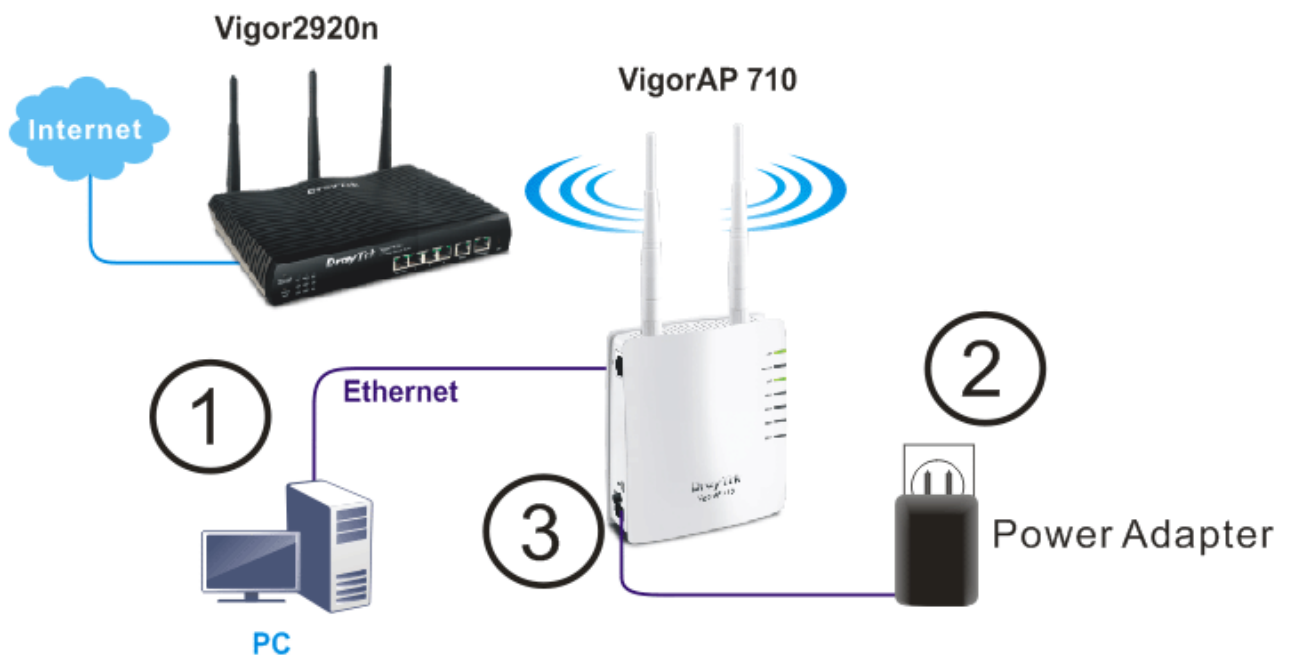
# 3

## Installation

This section will guide you to install the AP through hardware connection and configure the settings through web browser.

Before starting to configure the router, you have to connect your devices correctly.

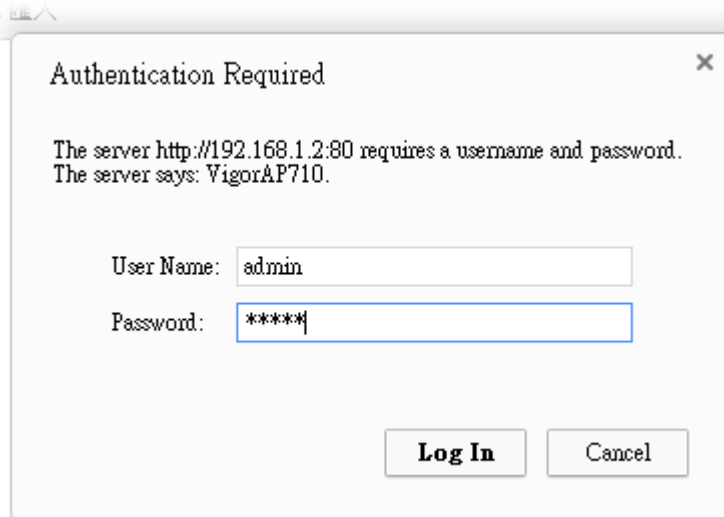
1. Connect a computer to other available LAN port. Make sure the subnet IP address of the PC is the same as VigorAP 710 management IP, e.g., **192.168.1.X**.
2. Connect the A/C power adapter to the wall socket, and then connect it to the PWR connector of the access point.
3. Power on VigorAP 710.
4. Check all LEDs on the front panel. **ACT** LED should be steadily on.



# 4

## Configuring Web Pages

1. Make sure your PC connects to the router correctly.
2. Open a web browser on your PC and type **http://192.168.1.2**. A pop-up window will open to ask for username and password. Please type “admin/admin” on Username/Password and click **Login**.



Authentication Required

The server http://192.168.1.2:80 requires a username and password.  
The server says: VigorAP710.

User Name:

Password:



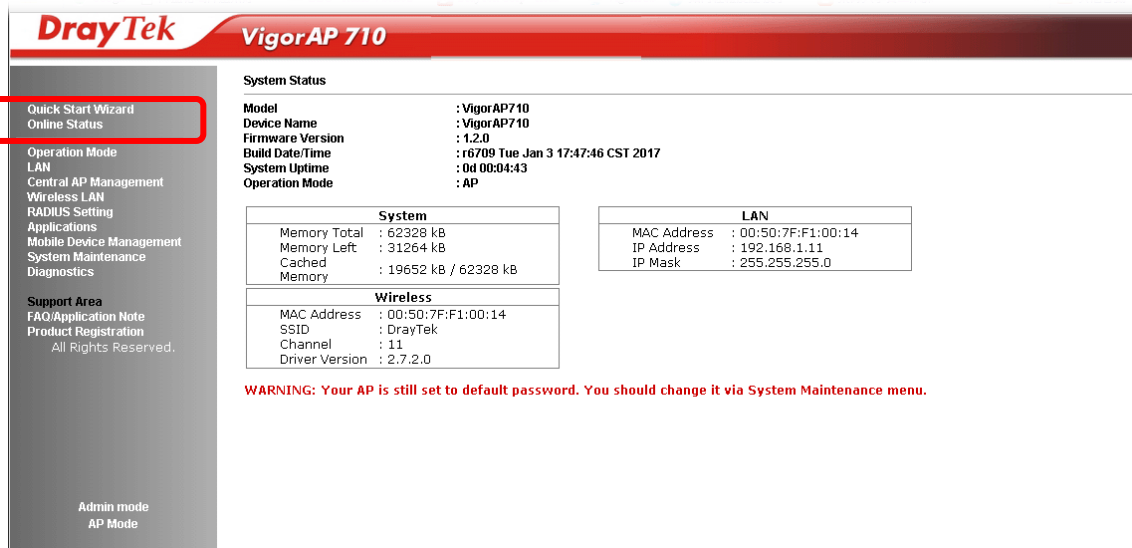
---

### Note

You may either simply set up your computer to get IP dynamically from the router or set up the IP address of the computer to be in the same subnet as **the IP address of VigorAP 710**.

- If there is no DHCP server on the network, then VigorAP 710 will have an IP address of 192.168.1.2.
  - If there is DHCP available on the network, then VigorAP 710 will receive its IP address via the DHCP server.
-

3. The **Main Screen** will pop up. Click **Quick Start Wizard**.



**DrayTek VigorAP 710**

**System Status**

Model : VigorAP710  
Device Name : VigorAP710  
Firmware Version : 1.2.0  
Build Date/Time : r6709 Tue Jan 3 17:47:46 CST 2017  
System Uptime : 0d 00:04:43  
Operation Mode : AP

System		LAN	
Memory Total	: 62328 kb	MAC Address	: 00:50:7F:F1:00:14
Memory Left	: 31264 kb	IP Address	: 192.168.1.11
Cached Memory	: 19652 kb / 62328 kb	IP Mask	: 255.255.255.0

**Wireless**

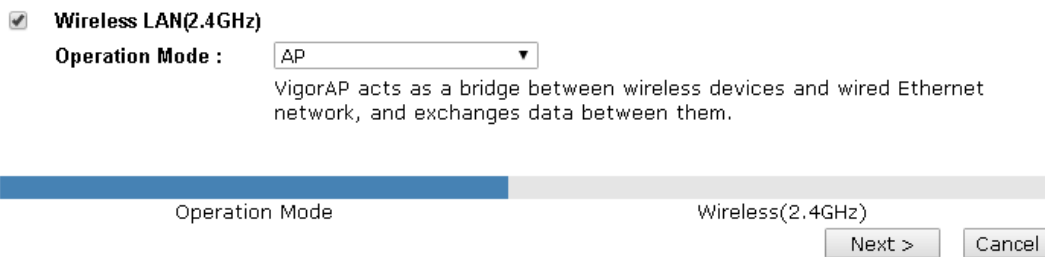
MAC Address : 00:50:7F:F1:00:14  
SSID : DrayTek  
Channel : 11  
Driver Version : 2.7.2.0

**WARNING: Your AP is still set to default password. You should change it via System Maintenance menu.**

Admin mode  
AP Mode

4. This page displays general settings (enable/disable wireless LAN 2.4GHz) for the operation mode selected.

Quick Start Wizard >> Operation Mode



**Wireless LAN(2.4GHz)**

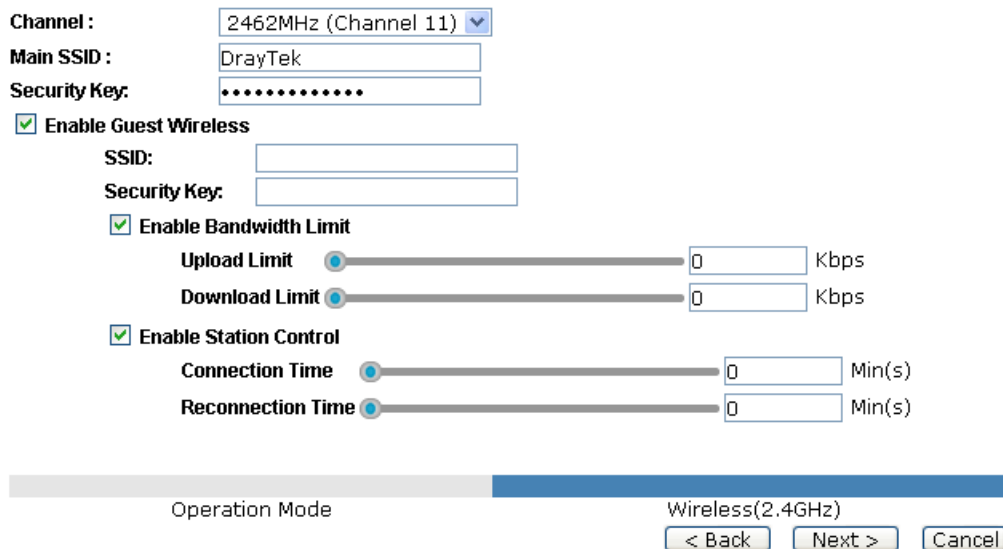
**Operation Mode :**

VigorAP acts as a bridge between wireless devices and wired Ethernet network, and exchanges data between them.

Operation Mode | Wireless(2.4GHz)

5. There are several operation modes for you to choose. Simply click any one of modes. In this example, choose **AP** and click **Next** to configure the following page.

Quick Start Wizard >> Wireless LAN (2.4GHz)



**Channel :**

**Main SSID :**

**Security Key:**

**Enable Guest Wireless**

**SSID:**

**Security Key:**

**Enable Bandwidth Limit**

**Upload Limit**  Kbps

**Download Limit**  Kbps

**Enable Station Control**

**Connection Time**  Min(s)

**Reconnection Time**  Min(s)

Operation Mode | Wireless(2.4GHz)



6. After finished the configuration for wireless LAN (2.4GHz) and click **Next**. When you see this page, it means the wireless setting wizard is almost finished. Just click **Finish** to save the settings and complete the setting procedure.

**Quick Start Wizard**

---

**Vigor Wizard Setup is now finished!**

Basic settings for AP710 is completed.

Press Finish button to save and finish the wizard setup.

Note that the configuration process takes a few seconds to complete.

< Back

Finish

Cancel



---

**Note**

Under **System Maintenance**, you can change the access point's default administrator password. You should do this immediately in order to prevent users from accessing the VigorAP's management interface and changing settings.

---

## Contacting DrayTek

If the router still cannot work correctly after trying many efforts, please contact your dealer for further help right away. For any questions, please feel free to send e-mail to [support@draytek.com](mailto:support@draytek.com).

### **Safety**

#### **Instructions**

- Read the installation guide thoroughly before you set up the router.
- The router is a complicated electronic unit that may be repaired only by authorized and qualified personnel. Do not try to open or repair the router yourself.
- Do not place the router in a damp or humid place, e.g. a bathroom.
- The router should be used in a sheltered area, within a temperature range of +5 to +40 Celsius.
- Do not expose the router to direct sunlight or other heat sources. The housing and electronic components may be damaged by direct sunlight or heat sources.
- Do not deploy the cable for LAN connection outdoor to prevent electronic shock hazards.
- Keep the package out of reach of children.
- When you want to dispose of the router, please follow local regulations on conservation of the environment.

#### **FCC RF Radiation Exposure Statement**

- This Transmitter must not be co-located or operating in conjunction with any other antenna or transmitter.
- This equipment complies with FCC RF radiation exposure limits set forth for an uncontrolled environment. This equipment should be installed and operated with a minimum distance of 20 centimeters between the radiator and your body.

#### **GPL Notice**

This DrayTek product uses software partially or completely licensed under the terms of the GNU GENERAL PUBLIC LICENSE. The author of the software does not provide any warranty. A Limited Warranty is offered on DrayTek products. This Limited Warranty does not cover any software applications or programs.

To download source codes please visit:

<http://gplsource.draytek.com>

GNU GENERAL PUBLIC LICENSE:

<https://gnu.org/licenses/gpl-2.0>

Version 2, June 1991

For any question, please feel free to contact DrayTek technical support at [support@draytek.com](mailto:support@draytek.com) for further information.