

# **VigorAP 1062C**

## **802.11ax Ceiling-mount Access Point**

### **Quick Start Guide**

**Version: 1.2**

**Firmware Version: V5.0.1**

**(For future update, please visit DrayTek web site)**

**Date: August 6, 2024**

## Intellectual Property Rights (IPR) Information

<b>Copyrights</b>	© All rights reserved. This publication contains information that is protected by copyright. No part may be reproduced, transmitted, transcribed, stored in a retrieval system, or translated into any language without written permission from the copyright holders.
<b>Trademarks</b>	The following trademarks are used in this document: <ul style="list-style-type: none"><li>● Microsoft is a registered trademark of Microsoft Corp.</li><li>● Windows, Windows 8, 10, 11 and Explorer are trademarks of Microsoft Corp.</li><li>● Apple and Mac OS are registered trademarks of Apple Inc.</li><li>● Other products may be trademarks or registered trademarks of their respective manufacturers.</li></ul>

## Safety Instructions and Approval

<b>Safety Instructions</b>	<ul style="list-style-type: none"><li>● Read the installation guide thoroughly before you set up the device.</li><li>● The device is a complicated electronic unit that may be repaired only by authorized and qualified personnel. Do not try to open or repair the device yourself.</li><li>● Do not place the device in a damp or humid place, e.g. a bathroom.</li><li>● Do not stack the devices.</li><li>● The device should be used in a sheltered area, within a temperature range of 0 to +40 Celsius.</li><li>● Do not expose the device to direct sunlight or other heat sources. The housing and electronic components may be damaged by direct sunlight or heat sources.</li><li>● Do not deploy the cable for LAN connection outdoor to prevent electronic shock hazards.</li><li>● Do not power off the device when saving configurations or firmware upgrades. It may damage the data in a flash. Please disconnect the Internet connection on the device before powering it off when a TR-069/ACS server manages the device.</li><li>● Keep the package out of reach of children.</li><li>● When you want to dispose of the device, please follow local regulations on conservation of the environment.</li></ul>
<b>Warranty</b>	We warrant to the original end user (purchaser) that the device will be free from any defects in workmanship or materials for a period of two (2) years from the date of purchase from the dealer. Please keep your purchase receipt in a safe place as it serves as proof of date of purchase. During the warranty period, and upon proof of purchase, should the product have indications of failure due to faulty workmanship and/or materials, we will, at our discretion, repair or replace the defective products or components, without charge for either parts or labor, to whatever extent we deem necessary to restore the product to proper operating condition. Any replacement will consist of a new or re-manufactured functionally equivalent product of equal value, and will be offered solely at our discretion. This warranty will not apply if the product is modified, misused, tampered with, damaged by an act of God, or subjected to abnormal working conditions. The warranty does not cover the bundled or licensed software of other vendors. Defects which do not significantly affect the usability of the product will not be covered by the warranty. We reserve the right to revise the manual and online documentation and to make changes from time to time in the contents hereof without obligation to notify any person of such revision or changes.



## Declaration of Conformity


Hereby, DrayTek Corporation declares that the equipment type VigorAP 1062C is in compliance with Radio Equipment Directive 2014/53/EU, Low Voltage Directive 2014/35/EU and RoHS 2011/65/EU.

The full text of the EU declaration of conformity is available at the following internet address:

<https://fw.draytek.com.tw/VigorAP%201062C/Document/CE/>

Manufacturer: DrayTek Corp.  
Address: No.26, Fushing Rd., Hukou, Hsinchu Industrial Park, Hsinchu 303, Taiwan  
Product: VigorAP 1062C

Frequency Information for Europe area:

2.4GHz WLAN	2412MHz - 2472 MHz, max. TX power: 19.97 dBm
5GHz WLAN	5160MHz - 5340 MHz, max. TX power: 22.87 dBm 5480MHz - 5720 MHz, max. TX power: 25.70 dBm
	Requirements in AT/BE/BG/CZ/DK/EE/FR/DE/IS/IE/IT/EL/ES/ CY/LV/LI/LT/LU/HU/MT/NL/NO/PL/PT/RO/SI/SK/TR/FI/SE/CH/HR/UK(NI). 5150MHz-5350MHz is for indoor use only.

This product is designed for 2.4GHz and 5GHz WLAN network throughout the EC region.



## Declaration of Conformity


Hereby, DrayTek Corporation declares that the equipment type VigorAP 1062C is in compliance with the Radio Equipment Regulations 2017 (SI 2017 No.1206) , The Electrical Equipment (Safety) Regulations 2016 (SI 2016 No.1101), and The Restriction of the Use of Certain Hazardous Substances in Electrical and Electronic Equipment Regulations 2012 (SI 2012 No. 3032).

The full text of the UKCA Declaration of Conformity is available at the following internet address:

<https://fw.draytek.com.tw/VigorAP%201062C/Document/CE/>

Manufacturer: DrayTek Corp.  
Address: No.26, Fushing Rd., Hukou, Hsinchu Industrial Park, Hsinchu 303, Taiwan  
Product: VigorAP 1062C

Frequency Information for UK area:

2.4GHz WLAN	2412MHz - 2472 MHz, max. TX power: 19.97 dBm
5GHz WLAN	5160MHz - 5340 MHz, max. TX power: 22.87 dBm 5480MHz - 5720 MHz, max. TX power: 25.70 dBm
	Requirements in UK. 5150MHz-5350MHz is for indoor use only.

This product is designed 2.4GHz and 5GHz WLAN network use in the UK & Ireland.

### UK PSTI STATEMENT OF COMPLIANCE

We, DrayTek Corp., office at No.26, Fushing Rd., Hukou, Hsinchu Industrial Park, Hsinchu 303, Taiwan, declare under our sole responsibility that the product

The full text of the PSTI Declaration of Conformity is available at the following internet address: <https://fw.draytek.com.tw/UK/PSTI/>

- Product name: Access Point
- Model number: VigorAP 1062C
- Manufacturer: DrayTek Corp.
- Address: No.26, Fushing Rd., Hukou, Hsinchu Industrial Park, Hsinchu 303, Taiwan


is in conformity with the relevant UK Statutory Instruments: The Product Security and Telecommunications Infrastructure (Security Requirements for Relevant Connectable Products) Regulations 2023 ("Security Requirements").

Standard	Version
The Product Security and Telecommunications Infrastructure Regulations	2023 Schedule 1
Support Period	3 years after the EOL notification

Please note that this statement of compliance, including the Defined Support Period stated herein, is only applicable to products sold in the UK. This Statement of Compliance is retained by DrayTek for 10 years after date of issue.

Hsinchu  
(place)

25th Mar., 2024  
(date)

  
Alan Wen  
General Manager Office. VP  
(Legal Signature)



## Regulatory Information

### Federal Communication Commission Interference Statement

This equipment has been tested and found to comply with the limits for a Class B digital device, pursuant to Part 15 of the FCC Rules. These limits are designed to provide reasonable protection against harmful interference in a residential installation. This equipment generates, uses and can radiate radio frequency energy and, if not installed and used in accordance with the instructions, may cause harmful interference to radio communications. However, there is no guarantee that interference will not occur in a particular installation. If this equipment does cause harmful interference to radio or television reception, which can be determined by turning the equipment off and on, the user is encouraged to try to correct the interference by one of the following measures:

- Reorient or relocate the receiving antenna.
- Increase the separation between the equipment and receiver.
- Connect the equipment into an outlet on a circuit different from that to which the receiver is connected.
- Consult the dealer or an experienced radio/TV technician for help.

This device complies with Part 15 of the FCC Rules. Operation is subject to the following two conditions:

- (1) This device may not cause harmful interference, and
- (2) This device may accept any interference received, including interference that may cause undesired operation.

USA Local Representative	Company name	ABP International Inc.		
	Address	13988 Diplomat Drive Suite 180 Dallas TX 75234		
	ZIP Code	75234	E-mail	itadmin@abptech.com
	Contact Person	Mr. Henry N Castillo	Tel.	(972)831-1600 140

### Caution

- Any changes or modifications not expressly approved by the grantee of this device could void the user's authority to operate the equipment.
- Any changes or modifications not expressly approved by the party responsible for compliance could void the user's authority to operate this equipment.
- This transmitter must not be co-located or operating in conjunction with any other antenna or transmitter.
- Radiation Exposure Statement: This equipment complies with FCC radiation exposure limits set forth for an uncontrolled environment. This equipment should be installed and operated with minimum distance 20cm between the radiator & your body.

## External Power Supply ErP Information

		1	2	3	4	5
A	Manufacturer	DVE	DVE	AMIGO	AMIGO	TOPOW Electronics Co.
B	Address	No.5, Pao-Kao Road, Hsin-Tien, New Taipei City 231, Taiwan	No.5, Pao-Kao Road, Hsin-Tien, New Taipei City 231, Taiwan	No.20, Qianyang First Road, Yun-Mao-Tsun, San Xing, Zhongshan, Guangdong, China	No.20, Qianyang First Road, Yun-Mao-Tsun, San Xing, Zhongshan, Guangdong, China	No.8 Xinxing Industrial Park, Xinhe Village, Fuyong Street, Baoan District, Shenzhen, Guangdong, China
C	Model identifier	12PF09-12 FUK	18PFR-12 FUK	1201000FB	1202000FV	18120-EU-22086
		12PF09-12 FEU/12PF11-12 FEU	18PFR-12 FEU		1202000FB	18120-UK-23091
D	Input voltage	100-240V	100-240V	100-240V	100-240V	100-240V
E	Input AC frequency	50/60Hz	50/60Hz	50/60Hz	50/60Hz	50/60Hz
	Output voltage DC	12.0V	12.0V	12.0V	12.0V	12.0V
F	Output current	1.0A	1.5A	1.0A	2.0A	1.5A
G	Output power	12.0W	18.0W	12.0W	24.0W	18.0W
H	Average active efficiency	84%	85.5%	86.96%	86.2%	85.21%
I	Efficiency at low load 10%	79.3%	83.7%	77.5%	79.1%	80.1%
J	No-load power consumptic	0.06W	0.07W	0.10W	0.10W	0.1W

\*The external power supply used for each product will be model dependent.

For more update, please visit [www.draytek.com](http://www.draytek.com).

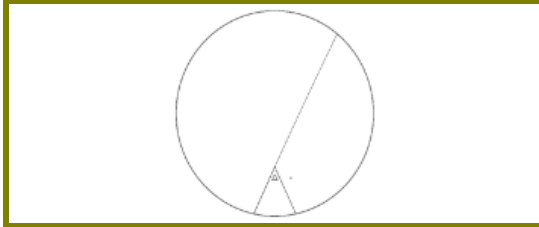


## ***Table of Contents***

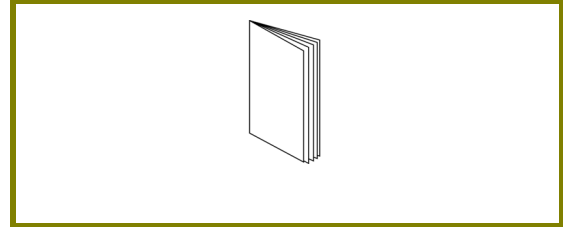
<b>1. Package Content .....</b>	<b>1</b>
<b>2. Panel Explanation.....</b>	<b>2</b>
<b>3. Installation.....</b>	<b>3</b>
3.1 Ceiling-mount Installation (Wooden Ceiling) .....	3
3.2 Ceiling-mount Installation (Plasterboard Ceiling).....	4
3.3 Suspended Ceiling Installation.....	5
<b>4. Connection and Configuration .....</b>	<b>7</b>
4.1 Notifications for Hardware Connection.....	7
4.2 Web Configurations.....	8
<b>5. Customer Service .....</b>	<b>11</b>
Be a Registered Owner .....	11
Firmware & Tools Updates .....	11

# 1. Package Content

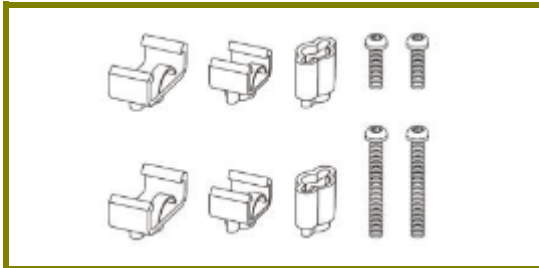
Take a look at the package content. If there is anything missed or damaged, please contact DrayTek or dealer immediately.



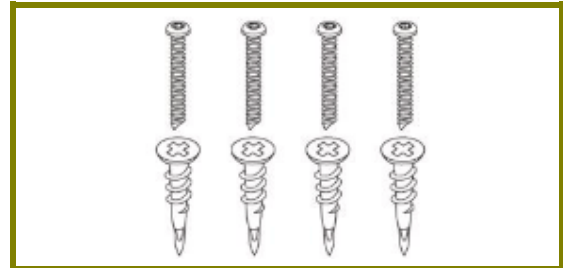
VigorAP 1062C Main Unit



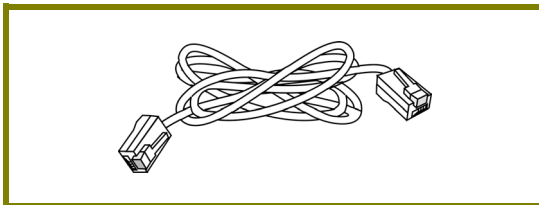
Quick Start Guide



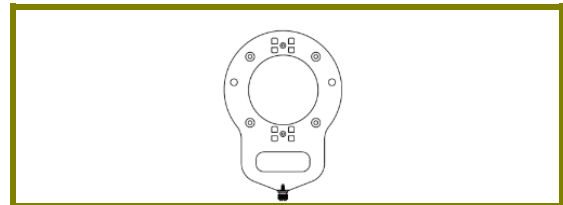
Kits & Screws  
(Used for T-Rail Mounting)



Screws  
(Used for Ceiling Mounting)



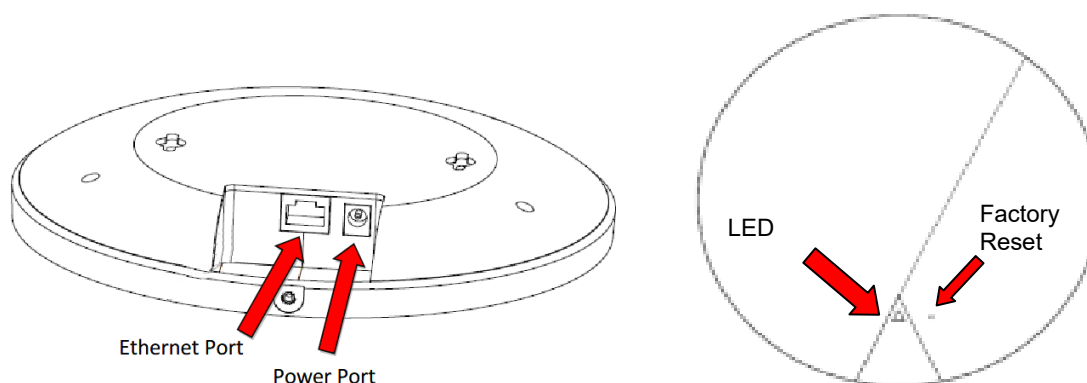
RJ-45 Cable (Ethernet)



Ceiling Mount Bracket

The maximum power consumption is 23 Watt.

## 2. Panel Explanation



LED	Status	Explanation
Blue LED	On	The system is in boot-loader mode.
	Blinking	The system is in TFTP mode.
Green LED	Blinking	The system is in AP mode and work normally.
Red LED	Blinking	System error.
Off	Off	VigorAP is turned off or not functioning.
Interface		Explanation
Ethernet Port		Connects to LAN or router. Supports PoE power & Gigabit (2.5G).
Power Jack (DC IN)		Connector for a power adapter.
Hole		Explanation
Factory Reset		Restores the unit back to factory default settings. To use, insert a small item such as an unbent paperclip into the hole. You will feel the button inside depress gently. Hold it for 5 seconds. The VigorAP will restart with the factory default configuration and the LED will blink blue.

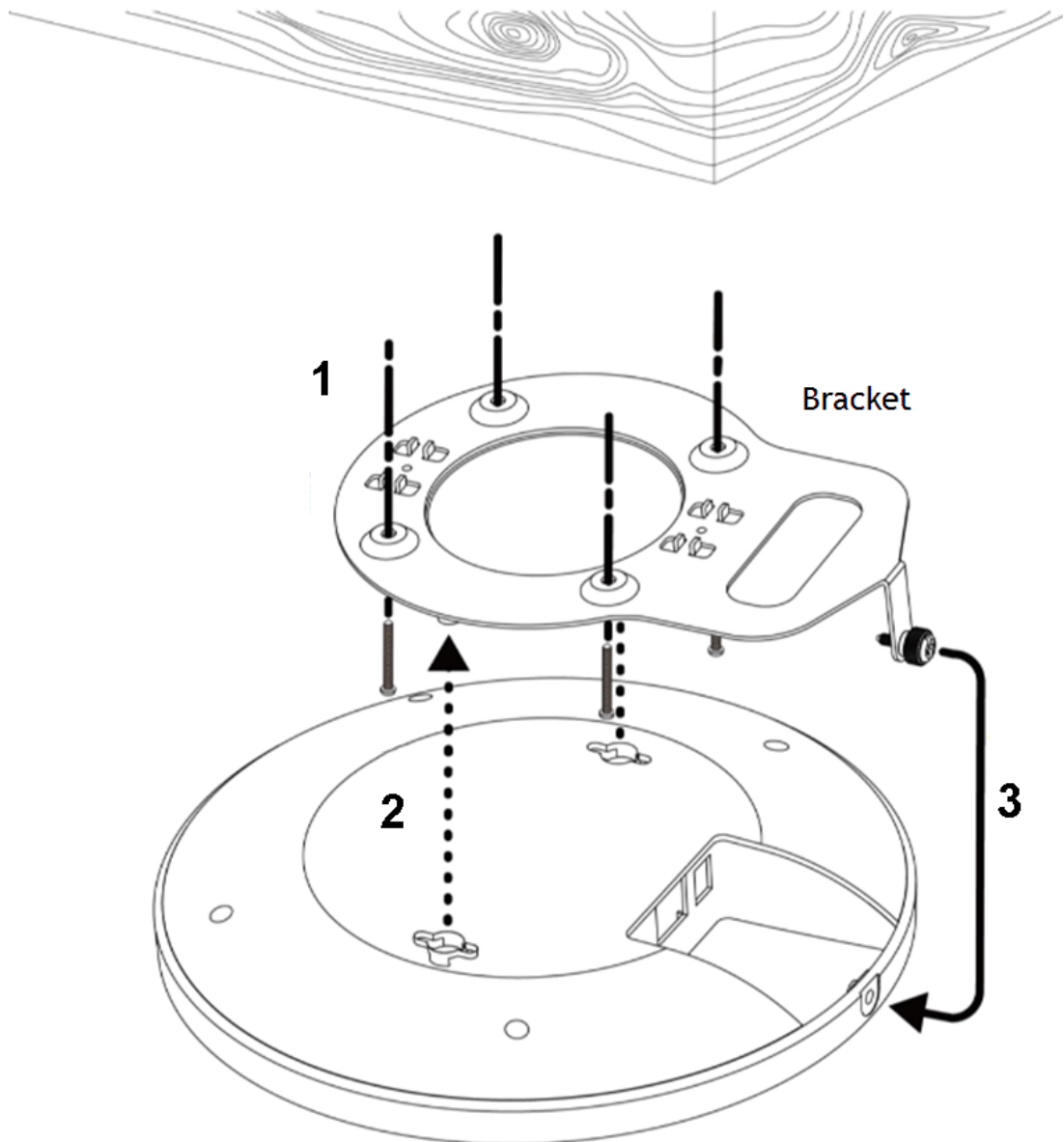


## 3. Installation

VigorAP can be installed under certain locations: wooden ceiling, plasterboard ceilings, and light-weighted steel frame.

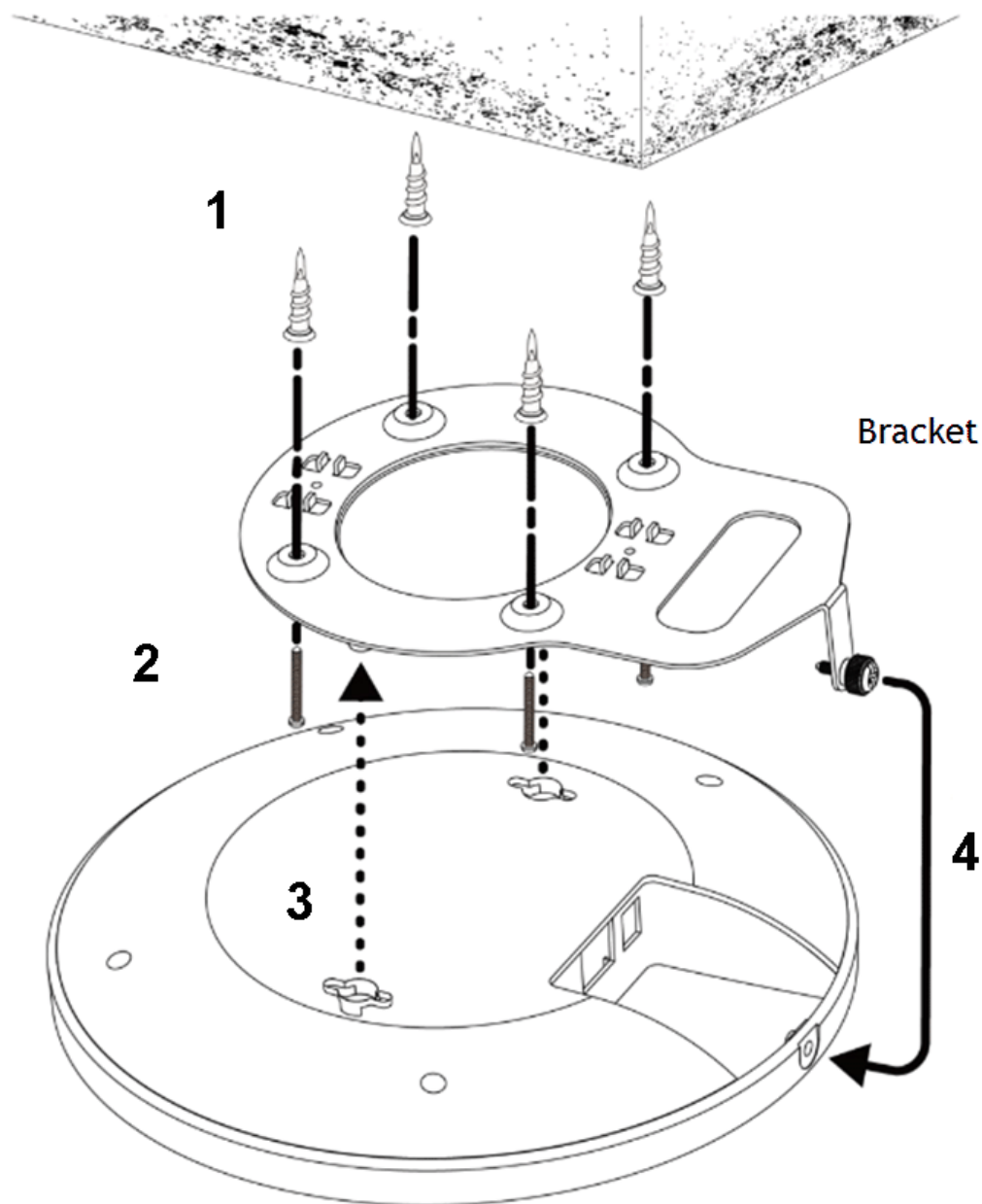
### 3.1 Ceiling-mount Installation (Wooden Ceiling)

1. Place the bracket under the wooden ceiling and fasten four screws firmly.
2. When the bracket is in place, fasten two screws firmly on the bottom of VigorAP.
3. Secure the access point firmly in place using the included screw.



### 3.2 Ceiling-mount Installation (Plasterboard Ceiling)

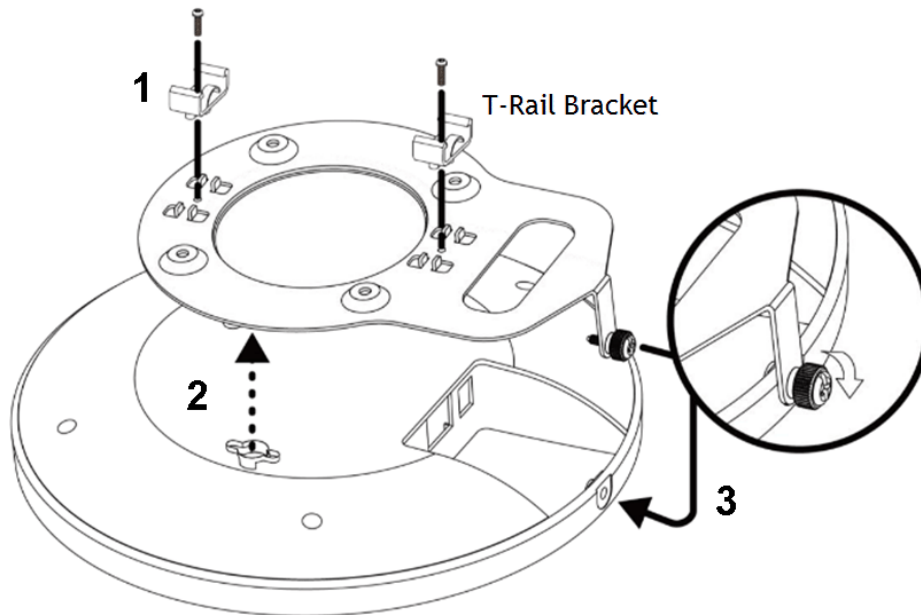
1. Drill four holes in your ceiling using the ceiling mount bracket as a guide, and insert the four included wall plugs/screw anchors.
2. Align the ceiling mount bracket with your wall plugs/screw anchors and use the four screws to fix it into place.
3. When the bracket is in place, fasten two screws firmly on the bottom of VigorAP.
4. Secure the access point firmly in place using the included screw.



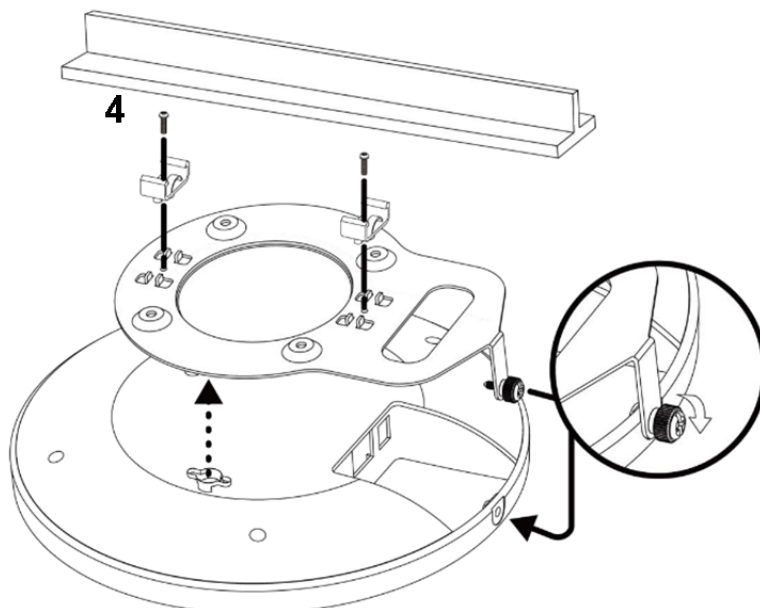
### 3.3 Suspended Ceiling Installation

You cannot screw into ceiling tiles as they are weak and not suitable for bearing loads. Your VigorAP is supplied with mounts (T-Rail brackets) which attach directly to the metal grid ('T-Rail') of your suspended ceiling.

1. Choose the correct size T-Rail bracket from the bundled package.
2. Put the T-Rail brackets on the holes of the bottom side of the device. Fasten them with suitable screws.
3. Secure the access point firmly in place using the included screw as shown below.



4. Clip the access point onto your T-Rail using the now attached T-Rail bracket.

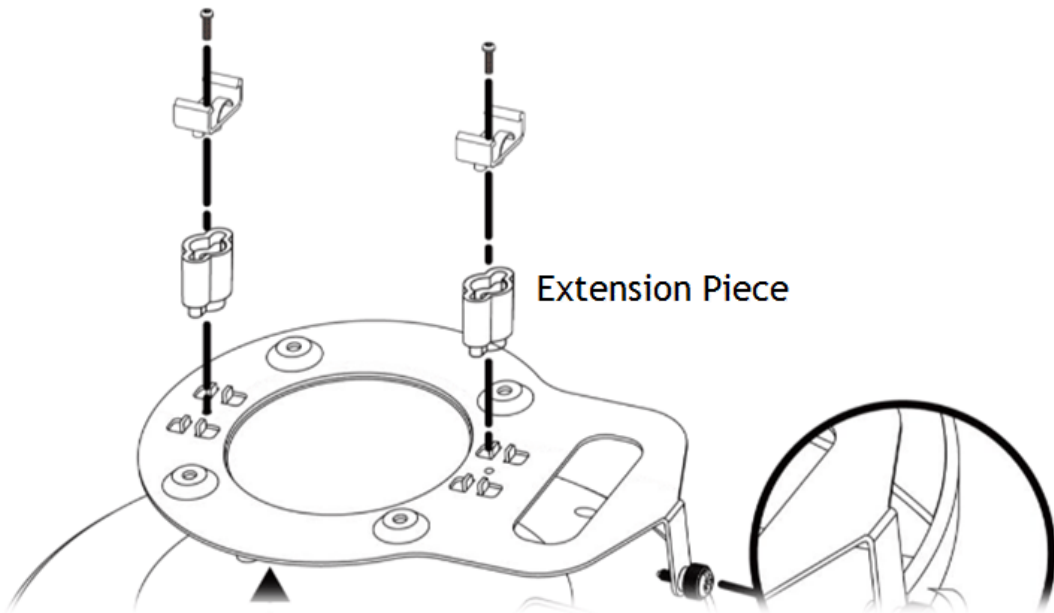


5. Attach the T-Rail brackets to the ceiling frame.



**Note**

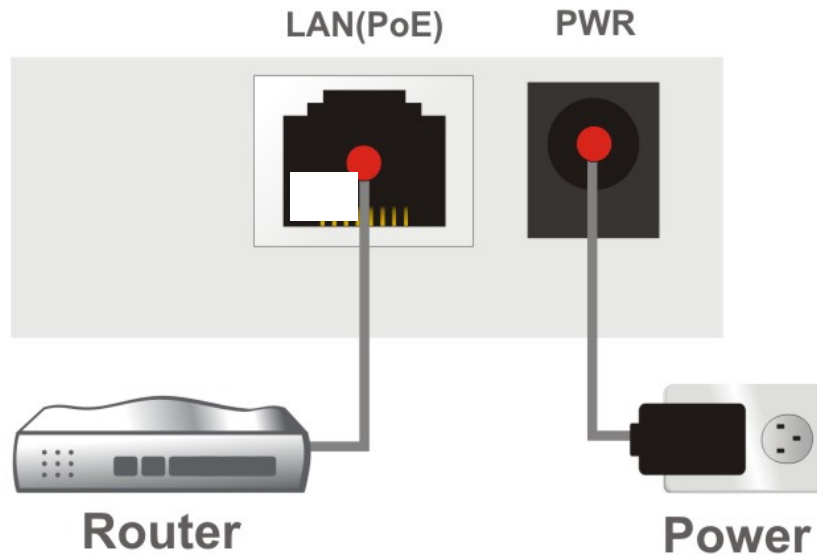
If a larger gap is required between the ceiling and the VigorAP, use the extension pieces to extend the height of the brackets.



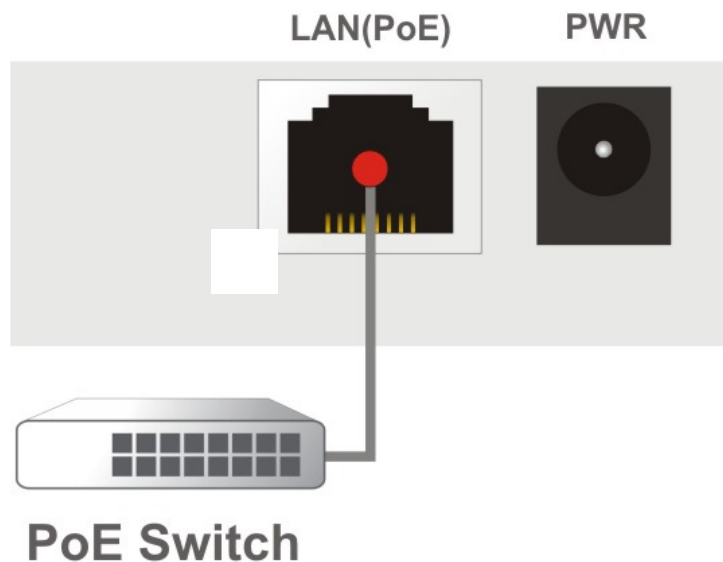
## 4. Connection and Configuration

### 4.1 Notifications for Hardware Connection

- Connect VigorAP to Vigor router (via LAN port) with Ethernet cable.



- Connect VigorAP to the PoE switch (via LAN port) with an Ethernet cable for getting the power from the switch directly. While connecting with a PoE switch, the power adapter is not necessary but optional.

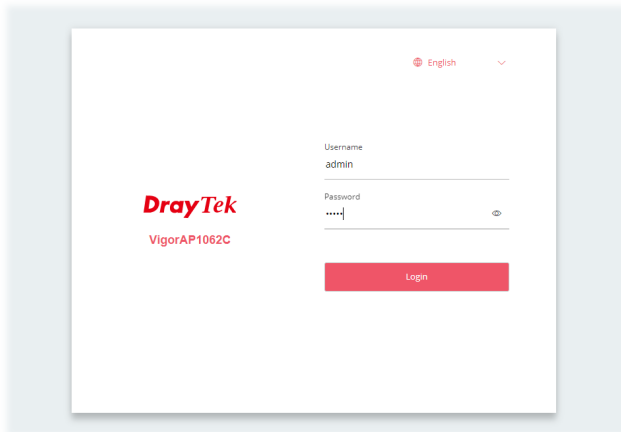


## 4.2 Web Configurations

There are two methods to configure VigorAP.

### Method 1:

1. Make sure your PC connects to the modem correctly.
2. Open a web browser on your PC and type **http://192.168.1.2**. A pop-up window will open to ask for username and password. Please enter “admin/admin” as the Username/Password and click **Login**.



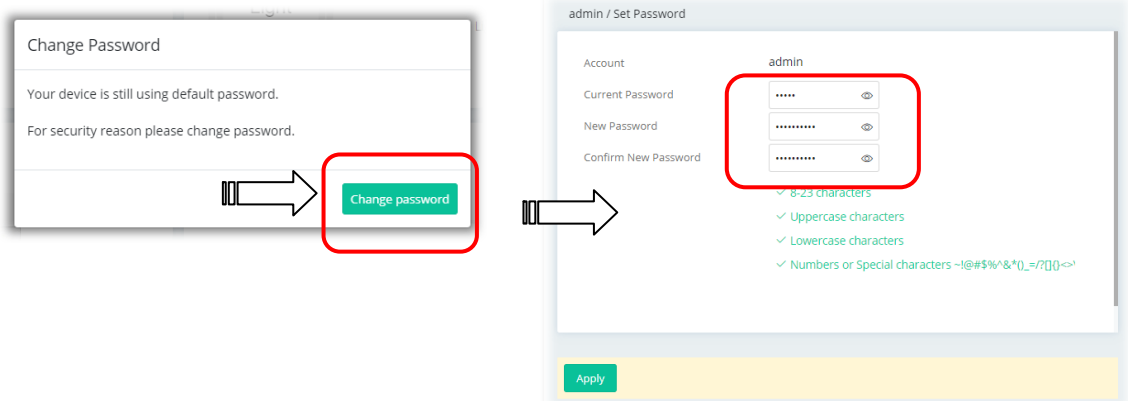
### Note

You may either simply set up your computer to get IP dynamically from the router or set up the IP address of the computer to be in the same subnet as the IP address of VigorAP 1062C.

- If there is no DHCP server on the network, then VigorAP 1062C will have an IP address of 192.168.1.2.
- If there is DHCP available on the network, then VigorAP 1062C will receive its IP address via the DHCP server.

3. Next, the page will appear to guide you change the login password.

You **MUST** change the login password before accessing the web user interface. Please set a new password for network security.



4. After clicking **Apply**, the Main Screen will pop up. When the homepage appears, view the configuration and modify the settings if you want.

The screenshot displays the DrayTek web interface for a VigorAP1062C device. The interface includes a navigation menu on the left, a search bar, and a main dashboard area with several widgets.

**Dashboard Overview:**

- WIRELESS CLIENTS OVERVIEW:** Shows 1 Client. Legend: 2.4G (green), 5G (orange).
- CHANNEL LOAD:** Shows Light load. Legend: Ch 8 (green), Ch 128 (orange). Light, 15%; Light, 2%.
- SYSTEM:** Device Name: VigorAP1062C; LAN MAC: 14:49:BC:5D:68:92; System Uptime: 0d 0h: 19m: 58s; Firmware: 5.0.1; ACS Server: ●. [See More +](#)
- PORT STATUS:** Shows LAN status with a green bar. Legend: 10/100M (orange), 1G (green), 2.5G (blue).
- SYSTEM USAGE:** CPU Usage: 33%; Memory Usage: 50%.
- WIRELESS OVERVIEW:**
  - 2.4GHz:** Radio: Enable; MAC: 14:49:BC:5D:68:92; SSID(1): DrayTek-5D6892.
  - 5GHz:** Radio: Enable; MAC: 16:49:BC:6D:68:92; SSID(1): DrayTek-5D6892.[See More +](#)
- LAN STATUS:**

Name	IP Address	Subnet Mask	DHCP	Primary DNS	Secondary DNS
[LAN] LAN1	192.168.1.11	255.255.255.0	Off	8.8.8.8	8.8.4.4

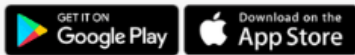
## Method 2:

1. Use a mobile phone to scan the QR code named with **DrayTek Wireless App** to download DrayTek Wireless APP.



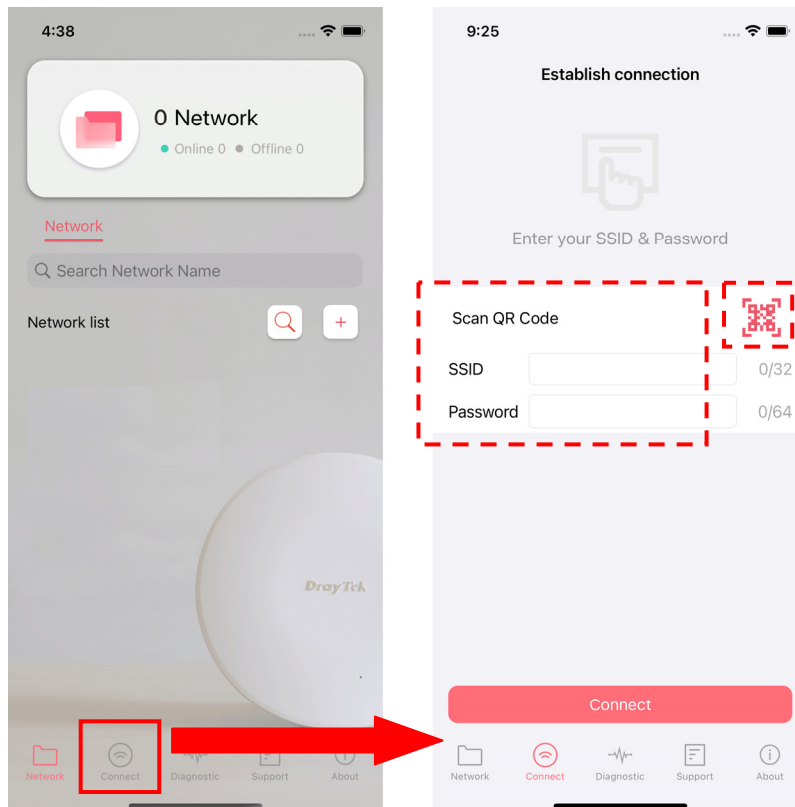
2. After opening the DrayTek website, use the scroll bar to locate the Wireless APP.

### Getting Download Wireless APP



3. Based on the mobile phone type (Android or iOS) you have, select the one you need to download the APP. Then, run the APP.
4. From the home page, click the **Connect** icon to access the **Connect** page. Next, press the QR code icon next to Scan QR Code on your phone screen to open the camera.

Scan the QR code named with **Connect SSID** to access the web user interface (configuration wizard) of VigorAP 1062C. (For iOS users, the SSID and the password will be shown first. Simply click the **Connect** button to access the web user interface of VigorAP.)





## 5. Customer Service

If the device cannot work correctly after trying many efforts, please contact your dealer/DrayTek for further help right away. For any questions, please feel free to send e-mail to “support@draytek.com”.

### **Be a Registered Owner**

Web registration is preferred. You can register your Vigor router via <https://myvigor.draytek.com>.

### **Firmware & Tools Updates**

Due to the continuous evolution of DrayTek technology, all routers will be regularly upgraded. Please consult the DrayTek web site for more information on newest firmware, tools and documents.

<https://www.draytek.com>

**GPL Notice** This DrayTek product uses software partially or completely licensed under the terms of the GNU GENERAL PUBLIC LICENSE. The author of the software does not provide any warranty. A Limited Warranty is offered on DrayTek products. This Limited Warranty does not cover any software applications or programs.

To download source codes please visit:

<http://gplsource.draytek.com>

GNU GENERAL PUBLIC LICENSE:

<https://gnu.org/licenses/gpl-2.0>

Version 2, June 1991

For any question, please feel free to contact DrayTek technical support at support@draytek.com for further information.